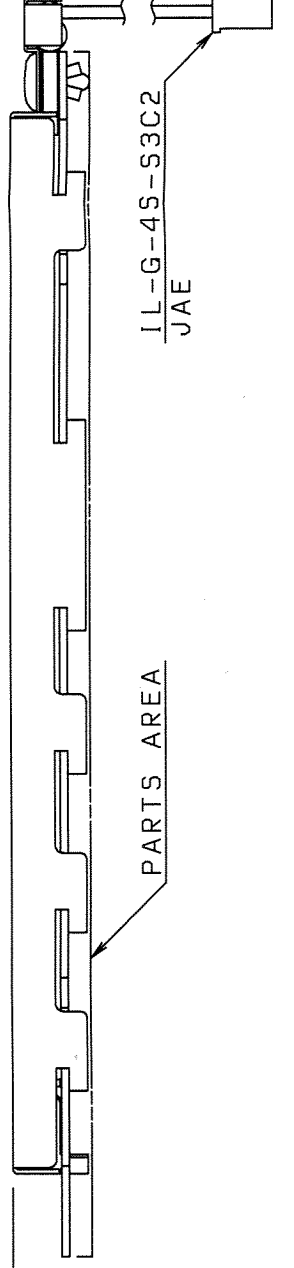
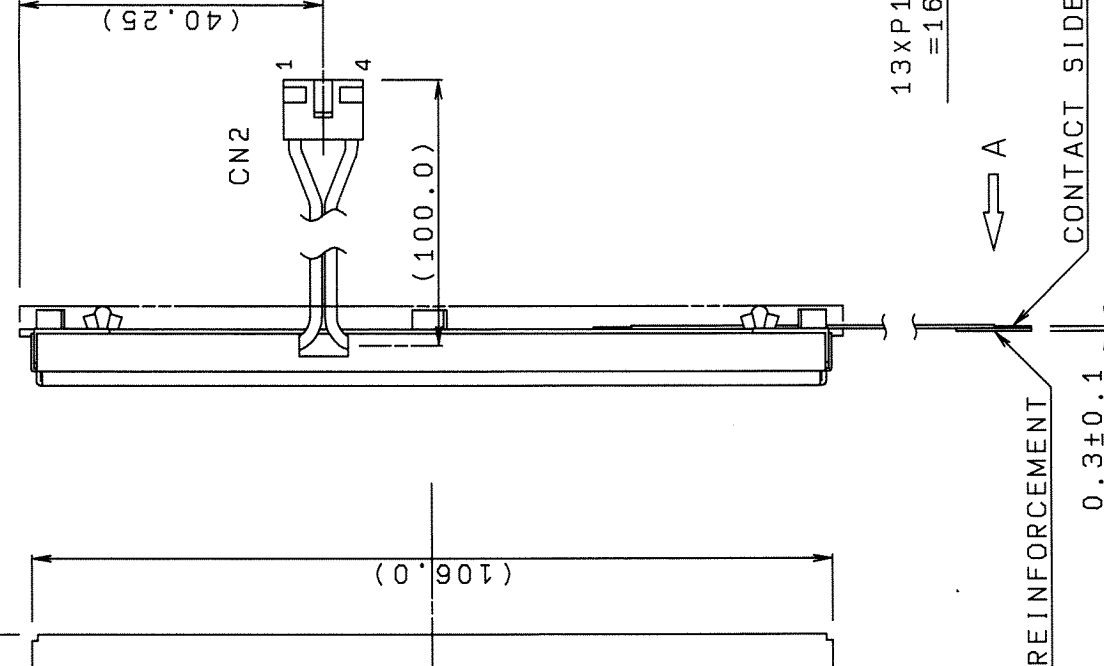
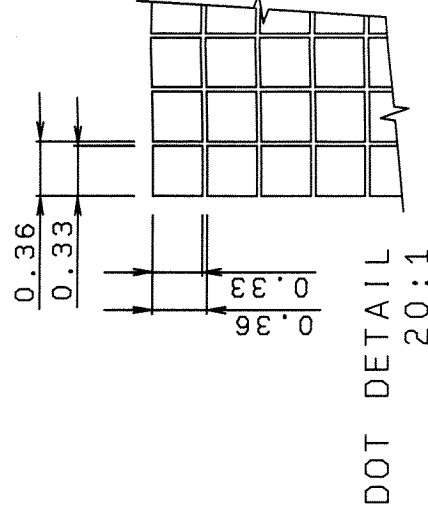
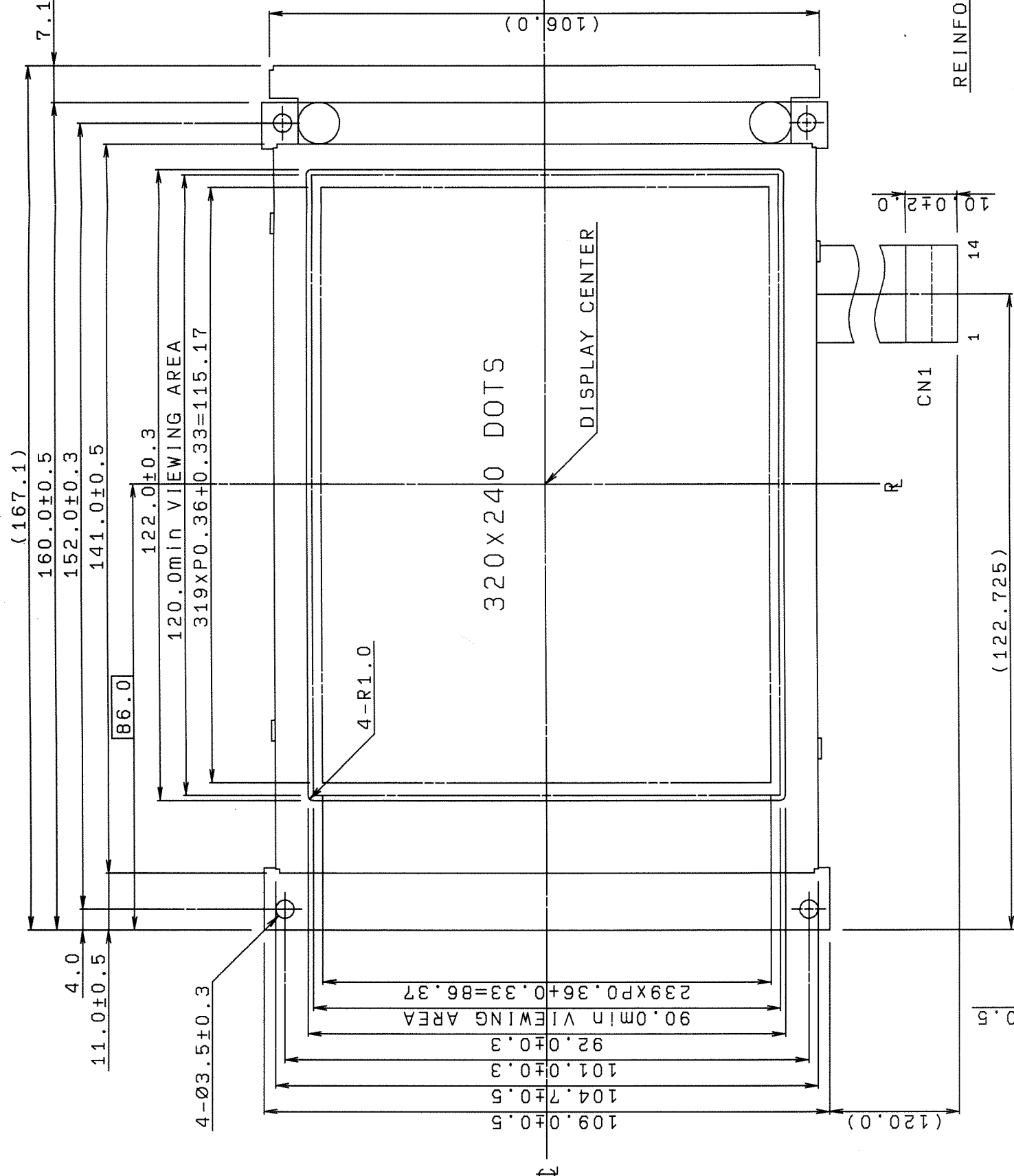
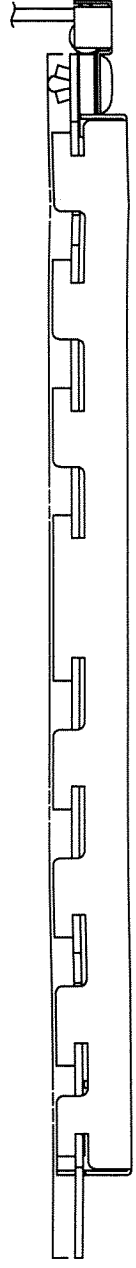


PIN ASSIGNMENT

CN1	
PIN No.	SYMBOL
1	D0
2	D1
3	D2
4	D3
5	DISPOFF
6	FLM
7	N.C.
8	LP
9	CP
10	VCC
11	VSS
12	VEE
13	VADJ
14	FG
CN2	
PIN No.	SYMBOL
1	CFL HOT
2	N.C.
3	N.C.
4	CFL GND



TOLERANCE		3 TO ANGLE PROJECTION		DATE	APPROVED
MEASURE	A	B	C	JUL. 5 '96	S.KUWABARA
L ≤ 16	±0.1	±0.3	±1.0	UNIT	MM
16 < L ≤ 63	±0.2	±0.5	±1.5	CHECKED	T. Okamoto
63 < L ≤ 250	±0.3	±0.8	±2.0	SCALE	1:1
250 < L ≤ 500	±0.5	±1.2	±3.0	DRAWN	Y. Takada
500 < L	±0.8	±2.0	±4.0		
ANGLE	±1°	±5'	±10'		

OPTREX CORPORATION
 TITLE: DIMENSIONAL OUTLINE
 CODE: DMF-50840 Series
 DRAWING No. UE-36988